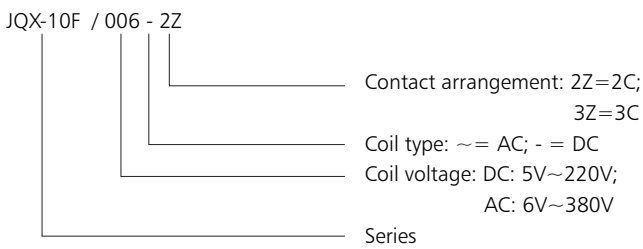


JQX-10F Miniature power relay

1. Features

- 1.1 10A switching current
- 1.2 Various sockets available
- 1.3 Wide range of coil ratings
- 1.4 Certificate: UL, CE

2. Ordering information



3. Contact specification

Contact Arrangement		2C, 3C
Initial contact resistance	mΩ	100
Contact material		Silver alloy
Rated load(resistive)		10A/250VAC, 10A/28VDC
Max. switching voltage	VAC	250
	VDC	125
Max. switching current	A	10
	VA	2500
Max. switching capacity	W	280
Electrical endurance	Cycles($\times 10^3$)	100
Machanical endurance	Cycles($\times 10^6$)	10

4. Coil specification

AC				
Rated voltage	Holding voltage	Must drop-out voltage	Operating range	Power consumption
6	80%Un	30%Un	(80%-110%) Un	3VA
12				
24				
36				
48				
110				
127				
220				
380				

DC				
Rated voltage	Holding voltage	Must drop-out voltage	Operating range	Power consumption
5	75%Un	10%Un	(75%-110%) Un	2W
6				
12				
24				
36				
48				
110				
125				
220				

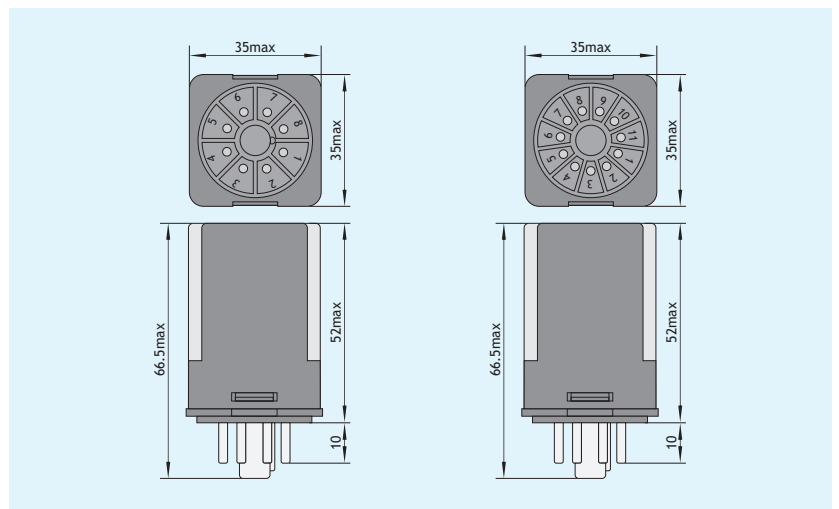
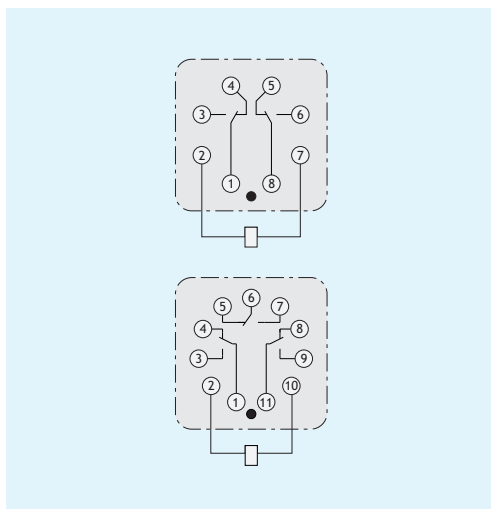
5. Characteristics

Insulation resistance(at 500VDC)		mΩ	100
Dielectric strength	Between coil & contacts		1500VAC for 1 min
	Between open contacts		1000VAC for 1 min
Operation time		ms	≤20
Release time		ms	≤20
Shock resistance		m/s ²	100
Vibration			10~55Hz, 1mm double amplitude
Humidity			98% RH at +20℃
Ambient temperature range		℃	-40~+55
Termination			Plug-in
Dimension		mm	35×35×52

6. Overall mounting dimensions (mm)

Internal connection (bottom view)

Dimensions

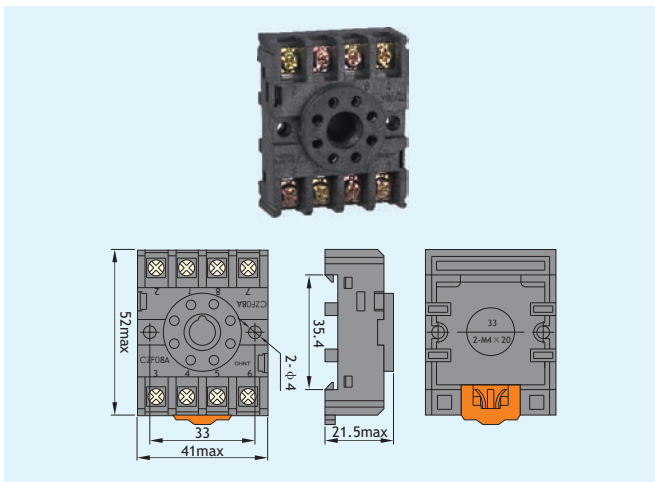


7. Socket

Socket for JQX-10F/2Z

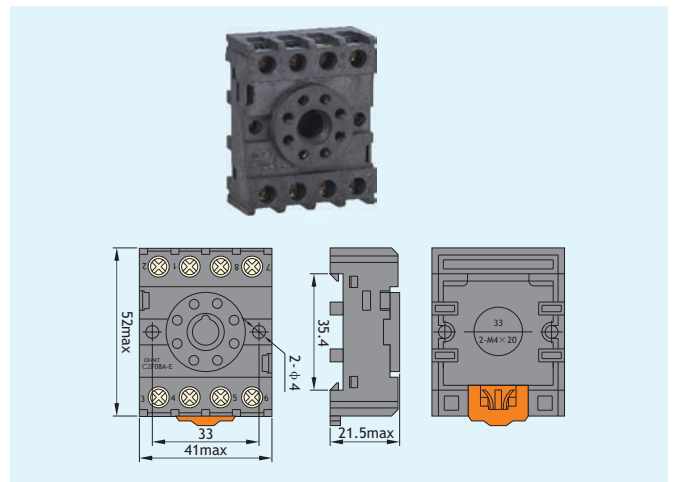
Dimensions: 52×41×21.5(mm)

CZF08A



Dimensions: 52×41×21.5(mm)

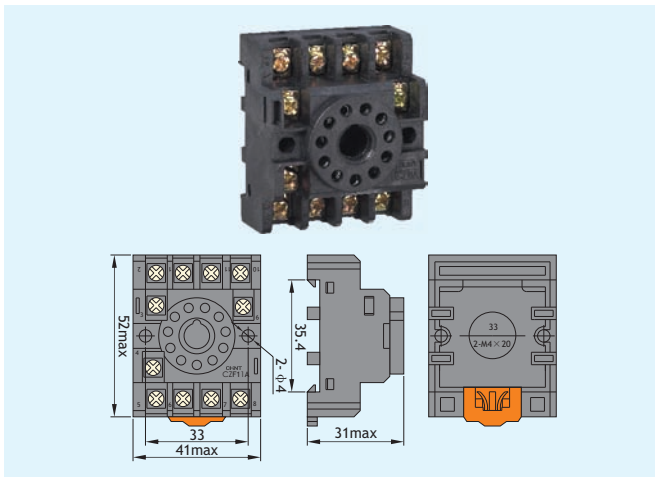
CZF08A-E
with finger proof



Socket for JQX-10F/3Z

Dimensions: 52×44×31(mm)

CZF11A



Dimensions: 52×44×31(mm)

CZF11A-E
with finger proof

