

V9 (Under Voltage Release for NB1, NBH8, NB1L, NB3LE, NBH8LE)

1. General

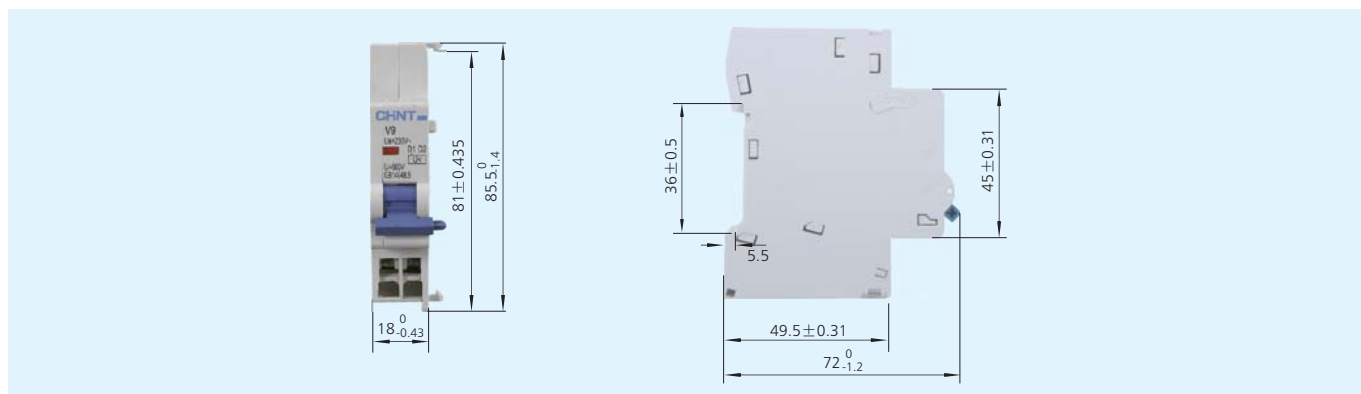
- 1.1 Protection of the load in the event of a voltage drop (between 70% and 35% of its rated value)
- 1.2 Positive safety (device's tripping when the voltage is disconnected) emergency stop by means of a button.
- 1.3 To be mounted on the left side of the MCBs/RCBOs thanks to the special pin.



2. Technical features

	Standard		IEC/EN 60947-5
Electrical features	Rated voltage U_s	V	AC230/400 50/60Hz AC24 50/60Hz
	Optional voltage of release		70-35% U_e , reliable operation <35% U_e , prevent breaker from making 85~110% U_e , reliable operation
	Rated impulse withstand voltage (1.2/50)U _{imp}	V	4,000
	Dielectric TEST voltage at ind. Freq. for 1min	kV	2
	Insulation voltage U_i	V	500
	Pollution degree		2
Mechanical features	Electrical life		4,000
	Mechanical life		4,000
	Protection degree		IP20
	Ambient temperature (with daily average $\leq 35^\circ\text{C}$)	$^\circ\text{C}$	-5...+40
	Storage temperature	$^\circ\text{C}$	-25...+70
Installation	Terminal connection type		Cable
	Terminal size top/bottom for cable	mm^2	2.5
		AWG	18-13
	Tightening torque	N*m	0.8
In-lbs.		7	

3. Overall and Mounting Dimensions (mm)



4. Ordering Information

Model	Operational voltage (V)	Order Code	
		Standard	RoHS
V9	AC 230	131410	971275
V9	AC 24	131412*	-

Note: Products marked with * are under development