

Indicator Light, ND16



1. General Information

Degree of protection: IP65;
Standard: IEC/EN60947-5-1

2. Working & Mounting Conditions

- 2.1 Ambient temperature is $-5^{\circ}\text{C} \sim +40^{\circ}\text{C}$, the average temperature during 24 hours couldn't exceed $+35^{\circ}\text{C}$.
- 2.2 Altitude: $\leq 2000\text{m}$.
- 2.3 Atmosphere condition: Relative humidity of the atmosphere couldn't exceed 50% when the highest temperature is $+40^{\circ}\text{C}$; much higher relative humidity is allowable under the condition of lower temperature, for example, when the temperature reaches $+20^{\circ}\text{C}$, the relative humidity is up to 90%. As for dews, which contingently appear due to change of temperature, special steps should be taken.
- 2.4 Pollution degree: 3
- 2.5 Overvoltage category: III

3. Technical Data


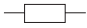
Basic parameters

| Rated operational voltage U_e (V) | | Rated operational current (mA) | Service life (h) | Brightness (cd/m^2) | Basic color |
|-------------------------------------|-------|--------------------------------|------------------|---------------------------------------|-------------|
| AC | AC/DC | | | | |
| 400 | 400 | $I_e \leq 20$ | ≥ 30000 | ≥ 60 | |
| 230 | 230 | | | | |
| 110 | 110 | | | | |
| - | 48 | | | | |
| - | 24 | | | | |
| - | 12 | | | | |
| - | 36 | | | | |
| - | 6 | | | | |


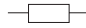
Note: For AC power supply, the limit voltage range is $0.85U_e \sim 1.1U_e$ between terminals.

4. ND16 Series Indicator


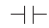
★ Flat Platform-Lampshape (Resistance type)

| ND16-22A/2 | Lamp-Voltage | Model | Color |
|---|---|------------------|-------|
|  | LED: AC/DC 6V, 12V, 24V, 36V, 48V, 110V, 230, 400V | ND16-22A/2 (W) | ○ |
| | | ND16-22A/2 (G) | ● |
| | | ND16-22A/2 (R) | ● |
| | | ND16-22A/2 (Y) | ● |
| | | ND16-22A/2 (B) | ● |
|  | LED: AC 230VF, 400VF; (to be used in capacitor gear) | ND16-22A/2 (W)-F | ○ |
| | | ND16-22A/2 (G)-F | ● |
| | | ND16-22A/2 (R)-F | ● |
| | | ND16-22A/2 (Y)-F | ● |
| | | ND16-22A/2 (B)-F | ● |



★ Flat Platform-Lampshape (Resistance type)

| ND16-22AS/2 | Lamp-Voltage | Model | Color |
|---|-----------------------------------|-------------------|-------|
|  | LED: AC/DC 6V, 12V, 24V, 36V, 48V | ND16-22AS/2 (W) | ○ |
| | | ND16-22AS/2 (G) | ● |
| | | ND16-22AS/2 (R) | ● |
| | | ND16-22AS/2 (Y) | ● |
| | | ND16-22AS/2 (B) | ● |
|  | | ND16-22AS/2 (W)-F | ○ |
| | | ND16-22AS/2 (G)-F | ● |
| | | ND16-22AS/2 (R)-F | ● |
| | | ND16-22AS/2 (Y)-F | ● |
| | | ND16-22AS/2 (B)-F | ● |

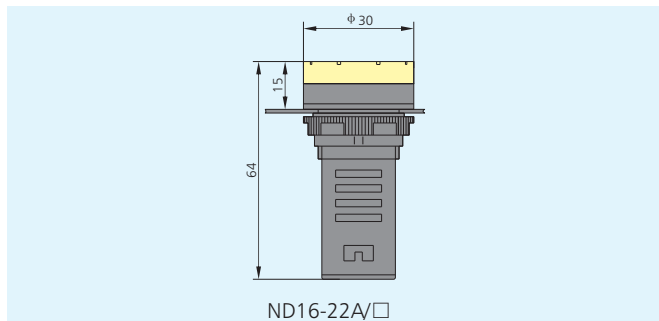
★ Flat Platform-Lampshape (Capacitor type)

| ND16-22A/4 | Lamp-Voltage | Model | Color |
|---|--------------------------|------------------|-------|
|  | LED: AC 110V, 230V, 400V | ND16-22A/4 (W) | ○ |
| | | ND16-22A/4 (G) | ● |
| | | ND16-22A/4 (R) | ● |
| | | ND16-22A/4 (Y) | ● |
| | | ND16-22A/4 (B) | ● |
|  | | ND16-22A/4 (W)-F | ○ |
| | | ND16-22A/4 (G)-F | ● |
| | | ND16-22A/4 (R)-F | ● |
| | | ND16-22A/4 (Y)-F | ● |
| | | ND16-22A/4 (B)-F | ● |

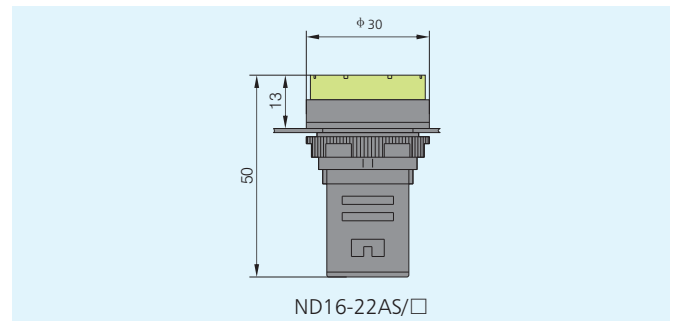
★ Flat Platform-Lampshape (Capacitor type)

| ND16-22AS/4 | Lamp-Voltage | Model | Color |
|---|-----------------------------------|-------------------|-------|
|  | LED: AC/DC 6V, 12V, 24V, 36V, 48V | ND16-22AS/4 (W) | ○ |
| | | ND16-22AS/4 (G) | ● |
| | | ND16-22AS/4 (R) | ● |
| | | ND16-22AS/4 (Y) | ● |
| | | ND16-22AS/4 (B) | ● |
|  | | ND16-22AS/4 (W)-F | ○ |
| | | ND16-22AS/4 (G)-F | ● |
| | | ND16-22AS/4 (R)-F | ● |
| | | ND16-22AS/4 (Y)-F | ● |
| | | ND16-22AS/4 (B)-F | ● |


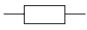
Dimensions (mm)





Dimensions (mm)




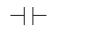
★ Flat Round Platform-Lampshape (Resistance type)

| ND16-22B/2 | Lamp-Voltage | Model | Color |
|--|--|------------------|-------|
|   | LED: AC/DC 6V, 12V, 24V, 36V, 48V, 110V, 230V, 400V | ND16-22B/2 (W) | ○ |
| | | ND16-22B/2 (G) | ● |
| | | ND16-22B/2 (R) | ● |
| | | ND16-22B/2 (Y) | ● |
| | | ND16-22B/2 (B) | ● |
| | LED: AC 230VF, 400VF; (to be used in capacitor gear) | ND16-22B/2 (W)-F | ○ |
| | | ND16-22B/2 (G)-F | ● |
| | | ND16-22B/2 (R)-F | ● |
| | | ND16-22B/2 (Y)-F | ● |
| | | ND16-22B/2 (B)-F | ● |


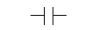
★ Compacted Flat Round Platform-Lampshape (Resistance type)

| ND16-22BS/2 | Lamp-Voltage | Model | Color |
|--|-----------------------------------|------------------|-------|
|   | LED: AC/DC 6V, 12V, 24V, 36V, 48V | ND16-22BS/2 (W) | ○ |
| | | ND16-22BS/2 (G) | ● |
| | | ND16-22BS/2 (R) | ● |
| | | ND16-22BS/2 (Y) | ● |
| | | ND16-22BS/2 (BS) | ● |

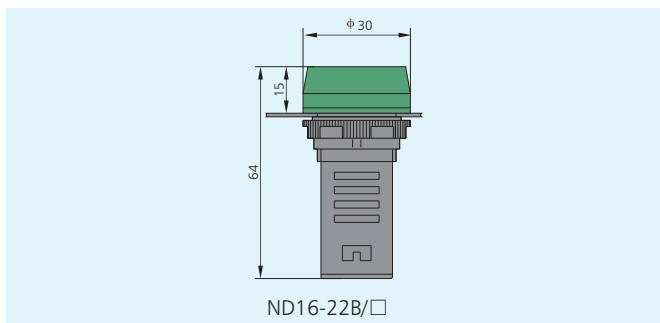
★ Flat Round Platform-Lampshape (Capacitance type)

| ND16-22B/4 | Lamp-Voltage | Model | Color |
|--|--------------------------|----------------|-------|
|   | LED: AC 110V, 230V, 400V | ND16-22B/4 (W) | ○ |
| | | ND16-22B/4 (G) | ● |
| | | ND16-22B/4 (R) | ● |
| | | ND16-22B/4 (Y) | ● |
| | | ND16-22B/4 (B) | ● |

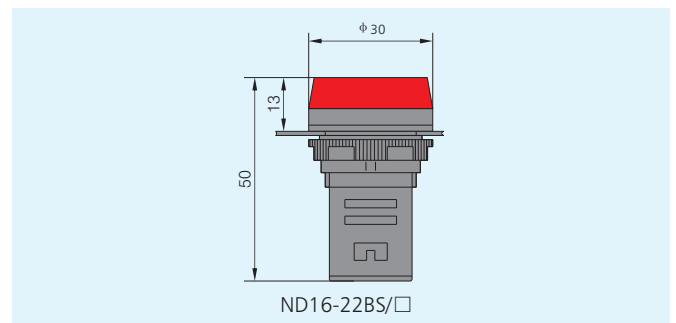
★ Compacted Flat Round Platform-Lampshape (Capacitance type)

| ND16-22BS/4 | Lamp-Voltage | Model | Color |
|--|-----------------------------------|------------------|-------|
|   | LED: AC/DC 6V, 12V, 24V, 36V, 48V | ND16-22BS/4 (W) | ○ |
| | | ND16-22BS/4 (G) | ● |
| | | ND16-22BS/4 (R) | ● |
| | | ND16-22BS/4 (Y) | ● |
| | | ND16-22BS/4 (BS) | ● |


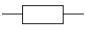
Dimensions (mm)




Dimensions (mm)




★ Arc Surface ripple-Lampshape (Resistance type)

| ND16-22C/2 | Lamp-Voltage | Model | Color |
|---|---|------------------|---|
|  | LED: AC/DC 6V, 12V, 24V, 36V, 48V, 110V, 230V, 400V | ND16-22C/2 (W) | ○ |
| | | ND16-22C/2 (G) | ● |
| | | ND16-22C/2 (R) | ● |
| | | ND16-22C/2 (Y) | ● |
| | | ND16-22C/2 (B) | ● |
| | LED: AC 230VF, 400VF; (to be used in capacitor gear) | ND16-22C/2 (W)-F | ○ |
| | | ND16-22C/2 (G)-F | ● |
| | | ND16-22C/2 (R)-F | ● |
| | | ND16-22C/2 (Y)-F | ● |
| | | ND16-22C/2 (B)-F | ● |
| | | |  |


★ Compacted Arc Surface ripple-Lampshape (Resistance type)

| ND16-22CS/2 | Lamp-Voltage | Model | Color |
|---|-------------------------------|-----------------|-------|
|  | LED: AC/DC 6V, 12V, 24V, 48V, | ND16-22CS/2 (W) | ○ |
| | | ND16-22CS/2 (G) | ● |
| | | ND16-22CS/2 (R) | ● |
| | | ND16-22CS/2 (Y) | ● |
| | | ND16-22CS/2 (B) | ● |
| | | | |

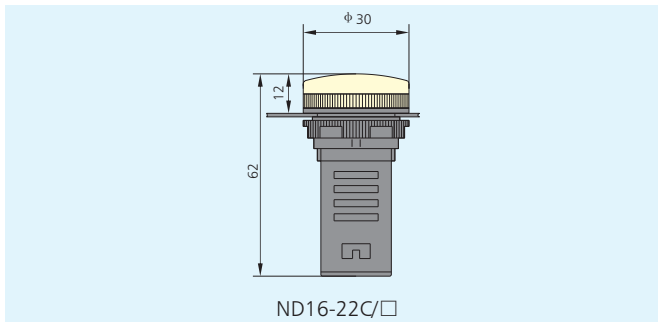
★ Arc Surface ripple-Lampshape (Capacitance type)

| ND16-22C/4 | Lamp-Voltage | Model | Color |
|---|--------------------------|----------------|-------|
|  | LED: AC 110V, 230V, 400V | ND16-22C/4 (W) | ○ |
| | | ND16-22C/4 (G) | ● |
| | | ND16-22C/4 (R) | ● |
| | | ND16-22C/4 (Y) | ● |
| | | ND16-22C/4 (B) | ● |
| | | | |

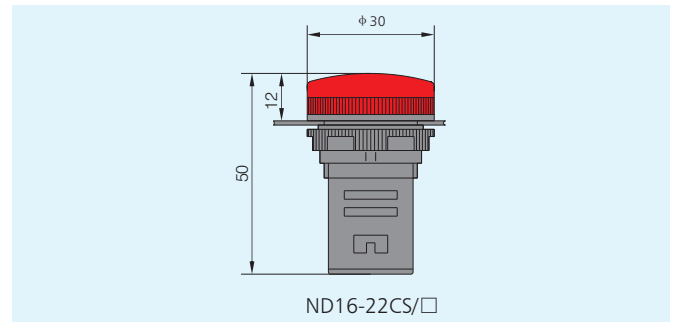
★ Compacted Arc Surface ripple-Lampshape (Capacitance type)

| ND16-22CS/4 | Lamp-Voltage | Model | Color |
|---|-----------------------------------|-----------------|-------|
|  | LED: AC/DC 6V, 12V, 24V, 36V, 48V | ND16-22CS/4 (W) | ○ |
| | | ND16-22CS/4 (G) | ● |
| | | ND16-22CS/4 (R) | ● |
| | | ND16-22CS/4 (Y) | ● |
| | | ND16-22CS/4 (B) | ● |
| | | | |


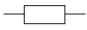
Dimensions (mm)





Dimensions (mm)




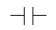
★ Arc Surface Round-Lampshape (Resistance type)

| ND16-22D/2 | Lamp-Voltage | Model | Color |
|--|---|------------------|-------|
|   | LED: AC/DC 6V, 12V, 24V, 36V, 48V, 110V, 230V, 400V | ND16-22D/2 (W) | ○ |
| | | ND16-22D/2 (G) | ● |
| | | ND16-22D/2 (R) | ● |
| | | ND16-22D/2 (Y) | ● |
| | | ND16-22D/2 (B) | ● |
| | LED: AC 230VF, 400VF; (to be used in capacitor gear) | ND16-22D/2 (W)-F | ○ |
| | | ND16-22D/2 (G)-F | ● |
| | | ND16-22D/2 (R)-F | ● |
| | | ND16-22D/2 (Y)-F | ● |
| | | ND16-22D/2 (B)-F | ● |


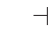
★ Compacted Arc Surface Round-Lampshape (Resistance type)

| ND16-22DS/2 | Lamp-Voltage | Model | Color |
|--|-----------------------------------|------------------|-------|
|   | LED: AC/DC 6V, 12V, 24V, 36V, 48V | ND16-22DS/2 (W) | ○ |
| | | ND16-22DS/2 (G) | ● |
| | | ND16-22DS/2 (R) | ● |
| | | ND16-22DS/2 (Y) | ● |
| | | ND16-22DS/2 (BS) | ● |

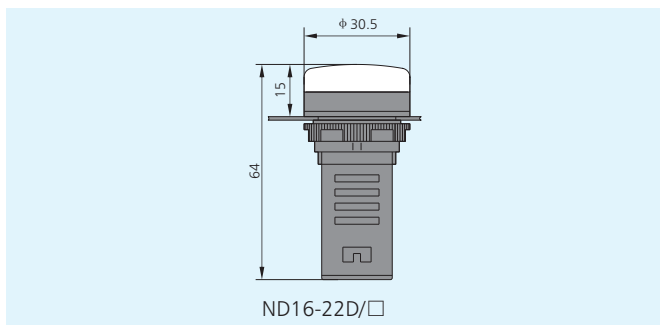
★ Arc Surface Round-Lampshape (Capacitance type)

| ND16-22D/4 | Lamp-Voltage | Model | Color |
|--|--------------------------|----------------|-------|
|   | LED: AC 110V, 230V, 400V | ND16-22D/4 (W) | ○ |
| | | ND16-22D/4 (G) | ● |
| | | ND16-22D/4 (R) | ● |
| | | ND16-22D/4 (Y) | ● |
| | | ND16-22D/4 (B) | ● |

★ Compacted Arc Surface Round-Lampshape (Capacitance type)

| ND16-22DS/4 | Lamp-Voltage | Model | Color |
|--|-----------------------------------|------------------|-------|
|   | LED: AC/DC 6V, 12V, 24V, 36V, 48V | ND16-22DS/4 (W) | ○ |
| | | ND16-22DS/4 (G) | ● |
| | | ND16-22DS/4 (R) | ● |
| | | ND16-22DS/4 (Y) | ● |
| | | ND16-22DS/4 (BS) | ● |

Dimensions (mm)



Dimensions (mm)

